



# BROCHURE

PRACTICALITY

INNOVATION

EFFICIENCY

**Bullex**

**NANJING SUPERFIT I&E CO.,. LTD.**

[www.bullexcn.com](http://www.bullexcn.com)  
[info@bullexcn.com](mailto:info@bullexcn.com)

# WELCOME



The nanjing superfit I&E compnay limited was established in 2003 with a registered capital of 20 million yuan. It was one of the first domestic manufacturers to modify amphibious excavators and river dredging equipment. Presently, the company's main products include amphibious excavators, pontoon undercarriages, long reach booms, extended arms, hydraulic cutter suction pumps, and other excavators-related accessories, as well as water conservation projects, environmental management projects, and equipment leasing.

Over the years, the company has established in-depth partnerships with well-known domestic and foreign brands such as YUCHAI, XCMG, LIUGONG, SANY, and CATERPILLAR. More than 50 Chinese cities sell the products, and they are exported to over 20 countries and regions, including Indonesia, Malaysia, Philippines, Poland, Russia, and Africa.

As a service-oriented company, Jiangsu River Heavy Industry emphasizes customer satisfaction as the standard. In order to meet the diversified needs of the future market, the company continues to research and develop, as well as improve upcoming amphibious products, high-tech marine engineering equipment, and other products. The company has developed into a leading brand of TOP ONE in the field of river dredging.



Eco Wave Sunrise Hope



"V" Victory Success



Excavation Focus Machinery

**BULLEX**

## BRAND MEANING

"BULLEX", the word originates from Bulldozer and excavator together. The meaning is to protect and develop "mother river" through river regulation, in order to achieve harmonious coexistence between man and nature.

## VALUE ORIENTATION

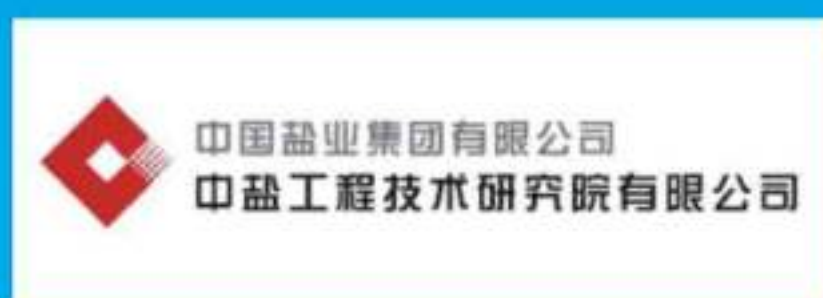
Service to society, green development, and diligence

# CERTIFICATION

In 2016, the company submitted more than ten patent applications involving amphibious excavators, cutter suction pumps, and other attachments, which were all approved, thus becoming one of the few domestic companies to obtain the technology patent. Furthermore, our products have been certified with the ISO9001 quality management system and with CE certification for European exports.



# COOPERATED BRANDS



# Our Development Course

2003



Founded the first Water Conservancy Engineering Company, which specializes in river dredging. The Yangtze River Waterway Administration and the Shanghai Waterway Bureau engaged the company to build the Caofeidian reclamation project this year, and we also gained extensive building experience.

2005



The R&D Task Force was established with the goal of addressing the amphibious excavator's knowledge gap and restrictions. Throughout the development process, we upgraded our technology and reserved a wealth of technical talent.

2010



We formally established a factory in Tianjin to increase production volume, as well as expanding the R&D team to a separate R&D department and establishing a distinct manufacturing department. Europe, South America, Africa, Southeast Asia, and other nations and regions are among the destinations for our exports.

2015



As a result, Cutter Suction Pump developed several projects, performed inferior imported products.

When the first amphibious excavator with a pontoon undercarriage was introduced to the market and received favorable customer response, our market size quickly increased.



2007

To meet the engineering demand of river regulation and reduce the construction cost, we are officially committed to the research and development of the Cutter Suction Pump, an attachment of an amphibious excavator.



2014



# MEMORABILIA



...t of using the  
...ction Pump  
... by RIVER in  
... engineering  
... the actual  
... ance is not  
... r to other  
... utter suction  
... mps.

## 2018



Invested in the establishment of Hubei River Machinery Co., Ltd, which constructed its first plant of 6000 square meters.

In order to support the National Environmental Protection Policy and develop our hometown, we have reduced the production scale of our factory in Tianjin. This resulted in an industrial facility covering over 50,000 square meters in Honghu City.



## 2017

As the company's first product, the factory went into production. As of April, the first Amphibious Pontoon undercarriage was unveiled, marking the beginning of the historical chapter that is rooted in Hubei and serves the country and the world.



## 2019

The company has experienced rapid growth in the last two years, occupying the domestic market. A manufacturing, sales, and development center was established in Changzhou



## 2021



# OUR PRODUCT



## AMPHIBIOUS EXCAVATOR

The system can be used on land, shallow water, marshes, and deep water areas, as well as on ponds, rivers, lakes, coastlines and other complex construction terrain, with high safety levels.

## PONTOON UNDERCARRIAGE

The excavator was modified, and the undercarriage system unit was replaced with a pontoon. The pontoon undercarriage can provide certain buoyancy so that excavators can work in the swamp, silt and other water environments.



Innovation begins with a concrete analysis of a specific problem. In practical application, because of the differences in river environments and construction conditions in each site, it is necessary to analyze the specific working conditions and combine the characteristics of different accessories to make the amphibious excavator, then make a variety of customized products, creating targeted solutions, and effectively complete engineering operations.

### **LONG REACH BOOM**

The long-reach arm is used when the standard arm cannot meet the requirement. Long reach arms may be more efficient and quicker to complete certain operating conditions with special depth, width, and height requirements.



### **HYDRAULIC CUTTER SUCTION PUMP**

It is beneficial to improve the working efficiency of the excavator by installing an auxiliary equipment when there is more water, more silt, sand, and mortar that is difficult to dig and transport.





## AMPHIBIOUS EXCAVATOR



Amphibious excavators can be used on land, in shallow water, in marshes, and in deep water. The amphibious excavators produced by BULLEX have been tested in practice for many years and are widely recognized by users. The pontoon undercarriage can be customized to suit 5–40 tons of various types of excavators, depending on your working conditions and needs.

## HOT-SALE MODEL

**BULLEX-80** ▼



**BULLEX-150** ▼



**BULLEX-215** ▼





# WIDE OPERATION AREA, MORE FLEXIBLE AND STABLE

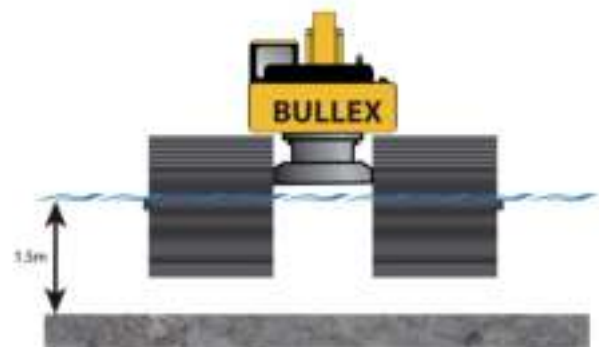
## Less than 1.5m depth

Lightweight design of RIVER



The pontoon's buoyancy is less than its total weight, so even if the machine touches the riverbed, it will continue to operate normally

Big pontoons of competitors

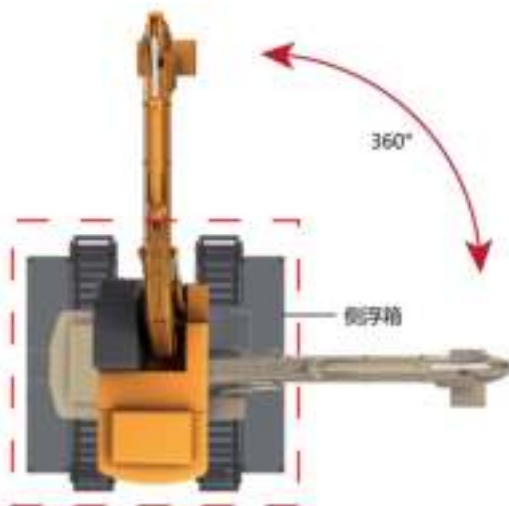


It is easy for the pontoon to roll over since buoyancy is greater than total weight

Lightweight excavators are more adaptable to shallow water areas such as silt and swamps design. The material strength increases while allowing the weight of the excavator to be reduced. By doing so, we will increase walking speed, reduce fuel consumption, and improve construction speed.

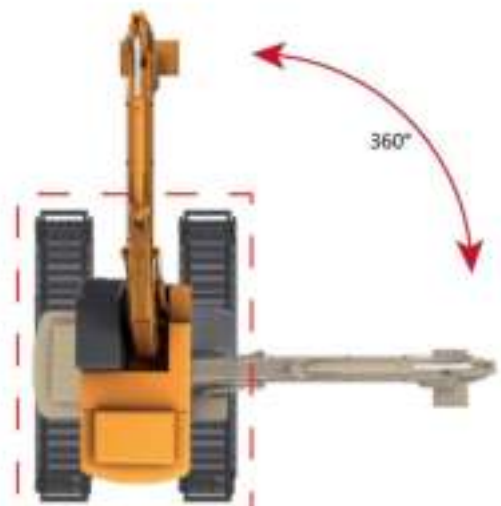
## 2-5 meters water

Lightweight design of RIVER



It is obvious from the practical experience of River's lightweight design that the square platform is more stable

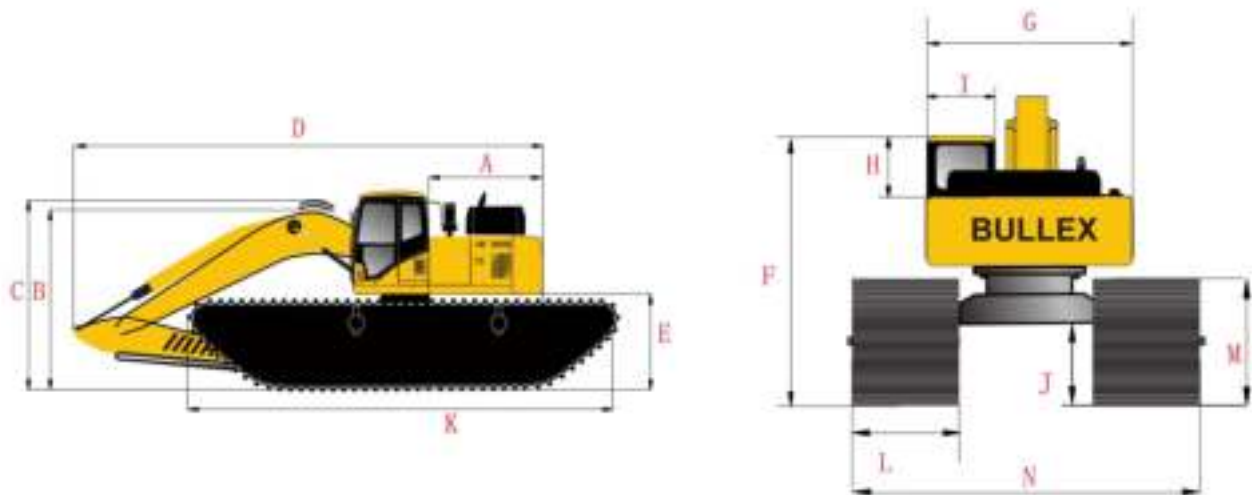
Big pontoons of competitors



There will be unstable condition when the bottom of the pontoon is rectangular as this will make it to easily roll over

In deep water areas, the design of the main pontoon and side pontoon makes the excavator more stable and not easy to roll over. At the same time, the relatively long reach arm, the wider operating radius, and the standard arm can also make the machine to work normally.

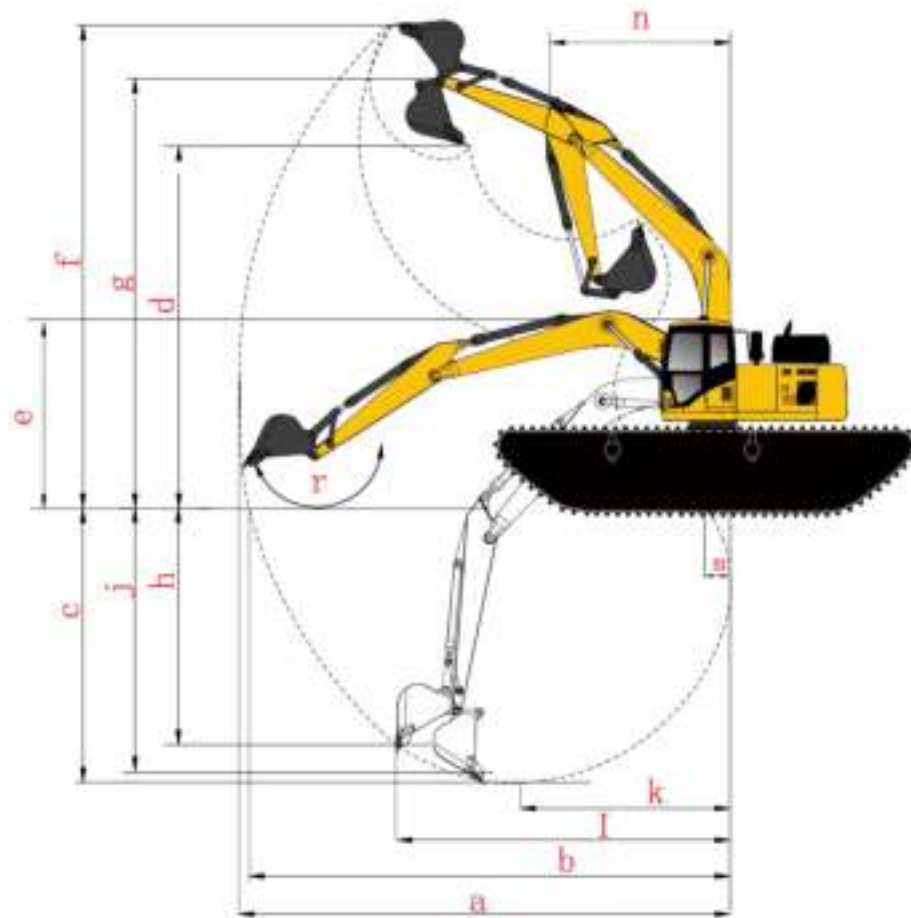
# Product Parameters



Description	Uom	Code	BULLEX-80	BULLEX-150	BULLEX-215
-------------	-----	------	-----------	------------	------------

## Measurement

Tail turning radius	mm	A	1650	2200	2840
Transport height (to boom top)	mm	B	1660	3350	3710
Transport height (to the top of the hose)	mm	C	2540	3520	3750
Transportation length	mm	D	7000	9050	10500
Ground clearance of counterweight	mm	E	1400	1800	2000
Total height (to top of cab)	mm	F	3150	3560	3840
Turntable width	mm	G	2100	2450	2480
Cab height (above turntable)	mm	H	1870	1910	1950
Full width of the cab	mm	I	1100	1100	1100
Minimum ground clearance	mm	J	875	1050	1250
Single pontoon length	mm	K	5700	7500	8200
Single pontoon width	mm	L	1000	1250	1520
Single pontoon height	mm	M	1300	1600	1800
Overall width	mm	N	300	3560	4500



Description	Uom	Code	BULLEX-80	BULLEX-150	BULLEX-215
-------------	-----	------	-----------	------------	------------

### Operation range

Max. digging distance	mm	a	6200	8150	11200
Max. excavation distance on the ground	mm	b	5920	7000	7280
Max. excavation depth	mm	c	3535	4750	5600
Max unloading height	mm	d	5645	7850	9300
Min. unloading height	mm	e	5045	5380	9000
Max. excavation height	mm	f	7570	9500	11400
Max. height of bucket pin	mm	g	6950	8650	10200
Max. vertical digging depth	mm	h	2450	3320	5100
Max vertical radius	mm	i	2435	3320	4750
Max. Horizontal excavation depth	mm	j	3450	4500	5200
Min. horizontal radius	mm	k	820	1250	2250
Min. digging distance	mm	m	1900	1900	1950
Min. gyration radius	mm	n	1650	2200	3050
Bucket extension angle	mm	r	175	175	175

# Pontoon >

## 20 years construction experience with an emphasis on real-world usage

- Amphibious excavator durability increased by 50%, and high-strength steel raw material is twice as strong as its rivals.
- By using sandblasting to remove rust and improve paint adhesion, boat digging's anti-rust capability was raised by 50%.
- Two-bottom and two-face paint, outstanding anti-rust capabilities, better resale value, and special paint for marine vessels
- In order to prevent the pontoon from wearing out, add a wear-resistant strip to the chain rail.
- Use high-light Q345B manganese plate for outstanding welding performance, high impact resistance, and guaranteed durability.

### The center frame's height

Various construction projects, the height of the center frame

### Main pontoon

For regular operation in shallow water, the planned buoyancy can reach the bottom less than the entirety of the structure.

### The chain plate employs HG785 high strength

Wear resistance, and impact resistance.



### Side Pontoon

Side pontoon is needed when water depth exceeds the height of main pontoon. Only 10 minutes for the installation of side

is adjustable

s may necessitate that  
e be adjusted or adapted

the pontoon's  
since it weighs

length

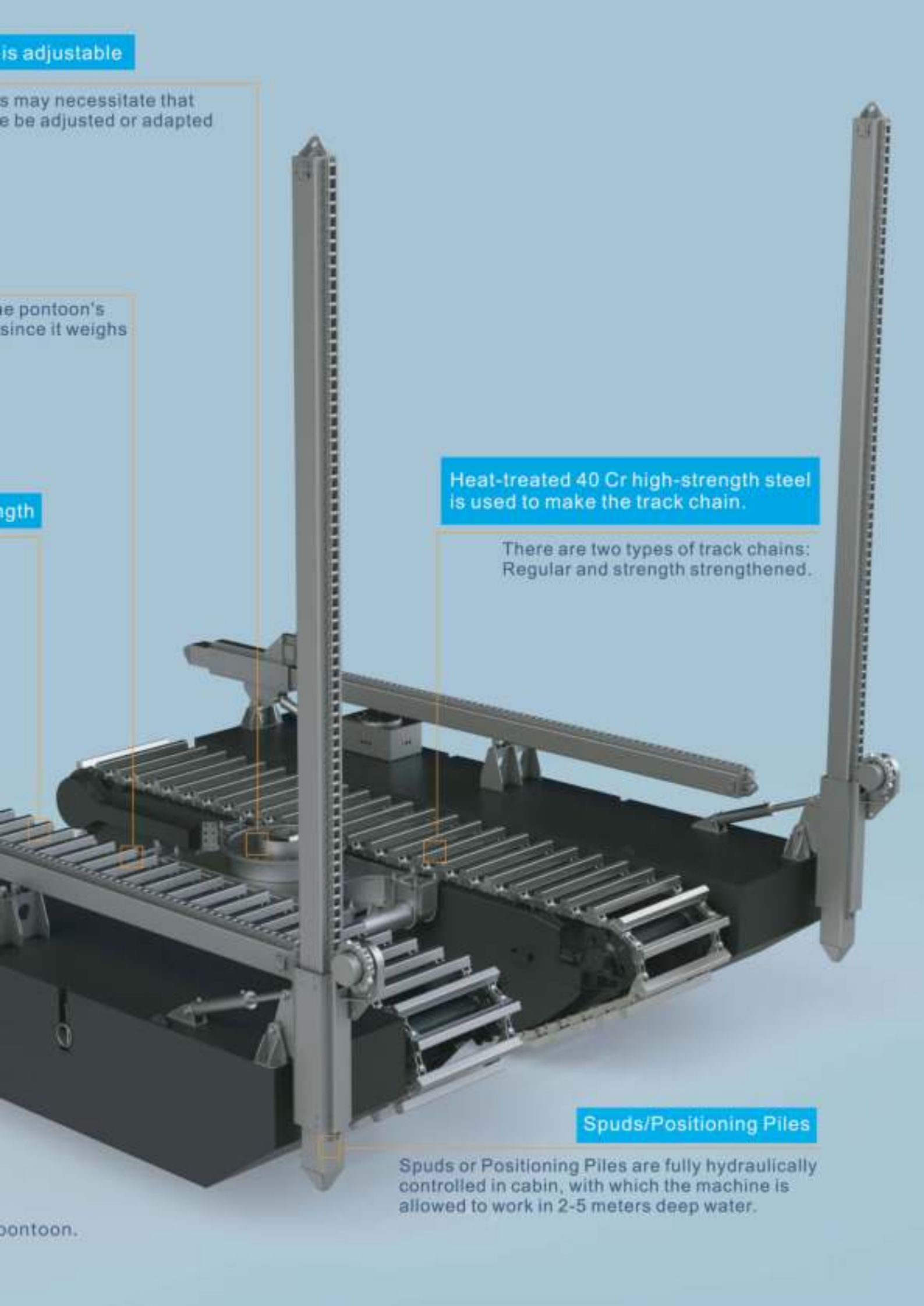
Heat-treated 40 Cr high-strength steel  
is used to make the track chain.

There are two types of track chains:  
Regular and strength strengthened.

Spuds/Positioning Piles

Spuds or Positioning Piles are fully hydraulically  
controlled in cabin, with which the machine is  
allowed to work in 2-5 meters deep water.

pontoon.



# The core components used in Pontoons are specially designed



## Centre Frame

The height of the center frame can be adjusted to fit different construction project specifications and can be changed in accordance with the original excavator foundation.



## Track Plate

- Under the track plate, the wear pad is intended to increase load capacity and decrease loss on hard surfaces.
- Enlarged chain plate that is anti-slipped and difficult to bend.
- Size can be changed to suit the needs of the customer.



## Track Shoe

Chromium and titanium alloy are optional, lighter materials with longer lives. The chain does not require high tension, the load on the shaft and bearing is low, it will not slip, the transmission is dependable, the overload capacity is substantial, and it performs better under low speed and heavy-duty conditions. It can also maintain an accurate average transmission force and increase transmission efficiency.



## The Part of Pontoon

- Good anti-rust ability, excellent value preservation ability, two-layer primer and two-layer paint.
- Strong impact resistance, assured wear resistance high strength Q345B steel plate.
- At the chain rail, wear-resistant strips are added to shield the floating box from harm.

## The knock-down construction made loading and transportation simple

Putting everything together takes 60 minutes, and installing the side pontoons takes 8 minutes.



Center Frame



Cross-Beam



U-shape Clip

12mm thickness seamless round tubes, durable and easy to assemble. The Center frame is fixed on the cross beam by 8 U-shape clips.

# Product Parameters



Model	Main Pontoon Dimension	Pontoon Weight	Total Width	Side Pontoon Dimension	Side Pontoon Weight
BULLEX80-A	5700*1000*1300mm	5.6T	3000mm	5500*900*700mm	1.4T
BULLEX150-A	7000*1250*1600mm	10.5T	4000mm	6500*1500*1250	2.6T
BULLEX215-A	8000*1500*1800mm	15.1T	4500mm	7000*1250*1000mm	3.0T
BULLEX250-A	8500*1600*1900mm	17.9T	4800mm	7500*1250*1100mm	3.2T
BULLEX300A	9000*1650*2000mm	22.2T	5100mm	8000*1300*1200mm	3.8T
BULLEX400-A	10500*2000*1840mm	/	/	/	/

## Material Pontoon material

High-grade Q345B steel is used for track shoes.  
 Q345B steel made specifically  
 40Cr steel is extremely durable and wear-resistant (Unique design)  
 Track chains are made of an airtight container  
 3 separate storage areas



# Different types of side pontoons



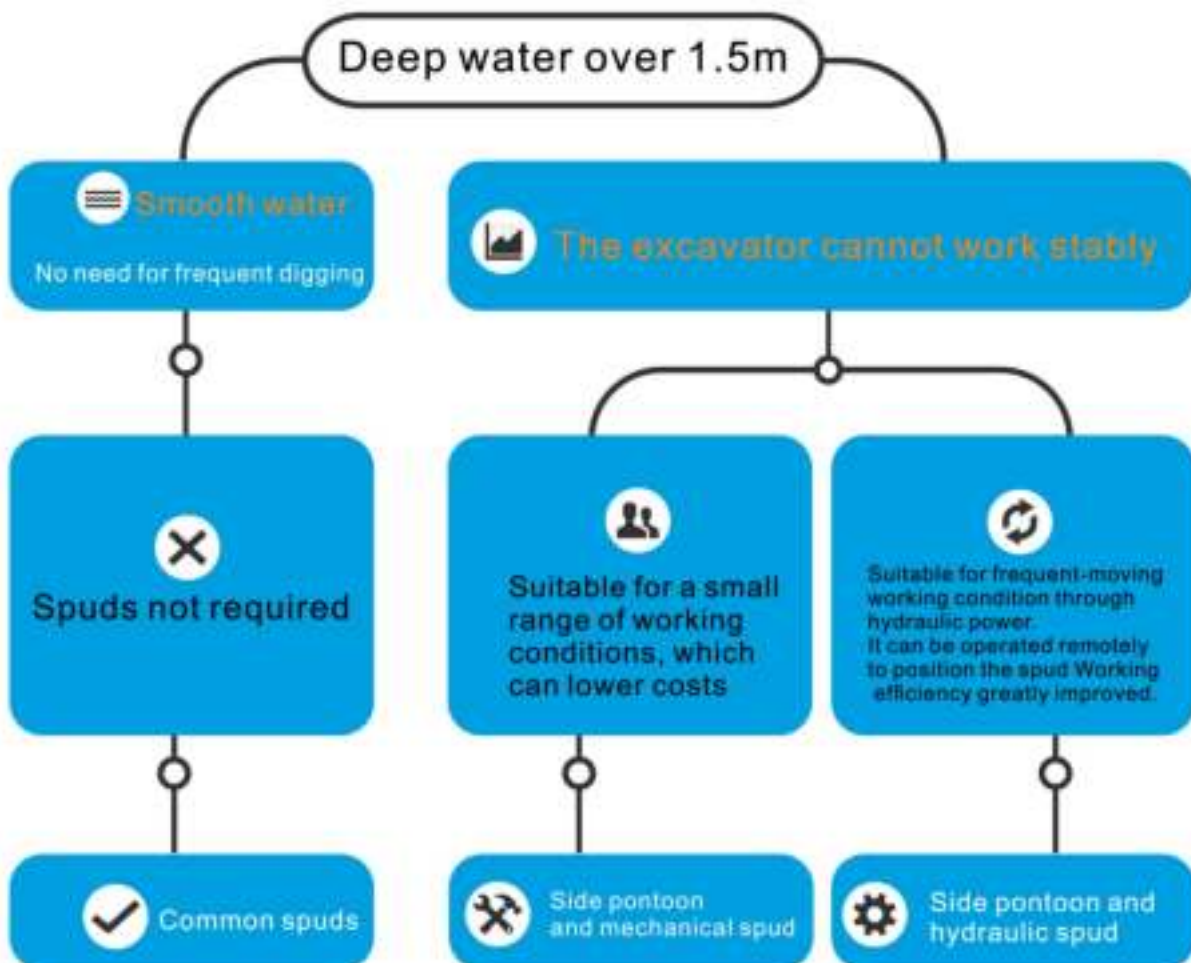
Side Pontoon



Mechanical Spuds



Hydraulic Spuds



# LONG REACH BOOM >

Through stress analysis, material selection, technology, design, and manufacture, we ensure the hardware's quality, structural integrity, and service performance. We can design and produce all types of two-section extension arms according to customer requirements, which are mainly used for earthwork foundation and deep well excavation, river dredging, port construction, subway construction, and construction foundation excavation, wide scope of operation, high efficiency, and high safety. An internal buffer plate is arranged in the arm to bear the tension load, extending the service life of the excavator.



## 1. Industry Standard Welding Technology

Adopting gas welding technology results in beautiful final products, outstanding welding quality with high weld crack resistance, low likelihood of welding distortion, a compact welding joint, and an extended shelf life for the entire arm.

## 2. Automated Processing Equipment

Processing pin shafts automatically improves the quality of the entire arm by precisely ensuring that each pin is parallel and that the center distance of each pin hole is exact.

## 3. Professional Product Design Team

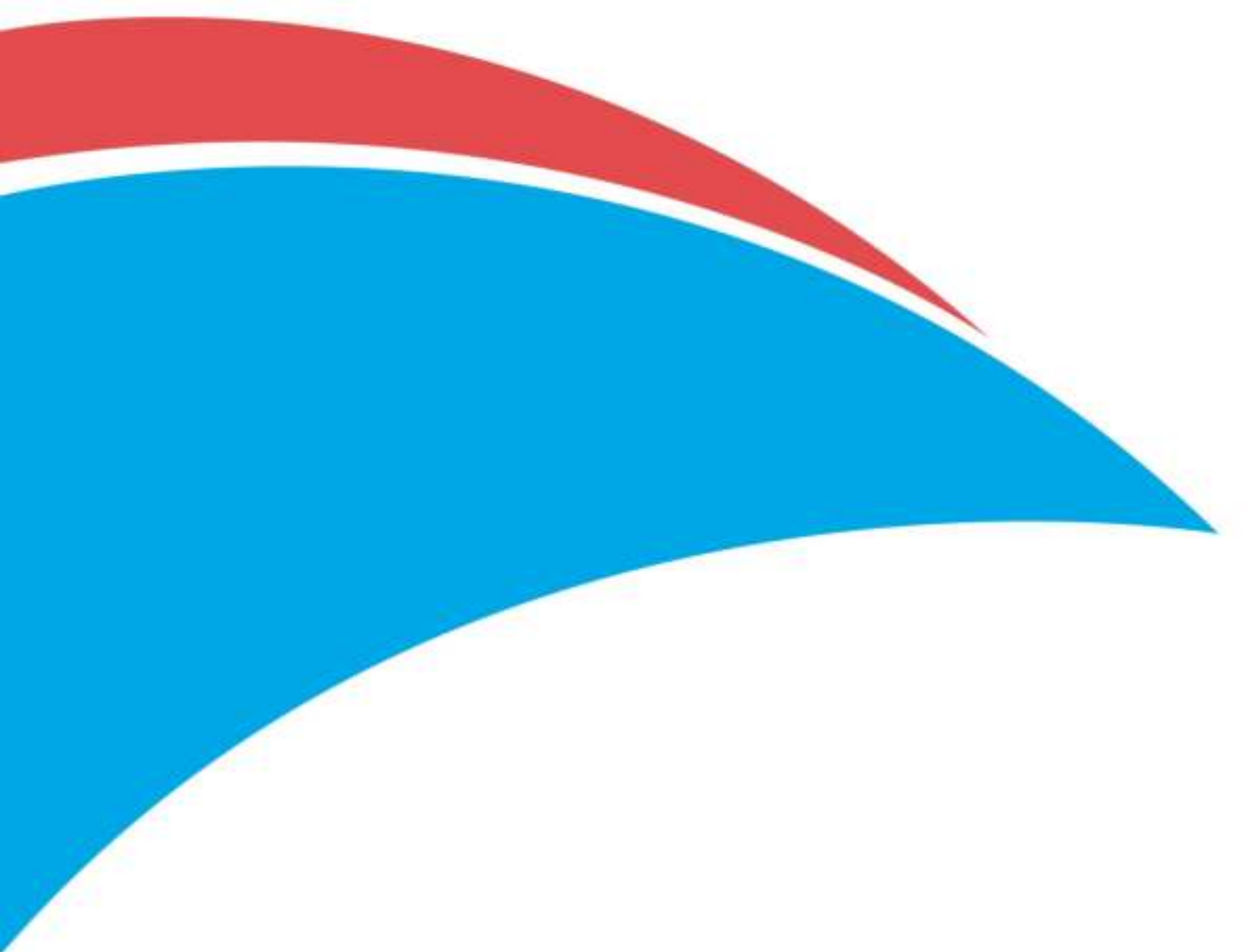
Based on the original products, we improved ours to significantly lower the risk of product cracking and arm breaking.

## 4. Advanced Computer-aided Design

The building process is significantly accelerated by the use of two-dimensional drawings and three-dimensional designs, which enable reliable data analysis for secondary development and customized goods.



Operating Weight (T)	Total Length (mm)	Boom Length (mm)	Arm Length (mm)	Bucket Capacity (m3)	Counterweight (T)
6~8	10000	5500	4500	0.25	/
10~16	13000	7100	5900	0.3	/
20~22	15380	8220	7160	0.5 0.6	/ 1Ton
23~25	15380	8220	7160	0.55 0.7	/ 1Ton
20~25	18000	10000	8000	0.35~0.4 0.6	/ 1.5Ton
26~34	18000	10000	8000	0.45~0.8	/
35~45	18000	10000	8000	0.8~1.2	/
25~34	20000	11000	9000	0.35~0.6	2.5Ton
35~45	20000	11000	9000	0.6~0.9	2Ton
35~40	22000	12000	10000	0.4~0.8	3Ton



# Bullex

- 📍 Nanjing Superfit I&E Co., Ltd. Head Office: Room 1212, Building E, Wanda Plaza  
Jianye District, Nanjing city, Jiangsu Province, China
- ☎ Tel: 0086(25) 52857161, Fax: 0086(25) 52857161
- 🌐 [www.bullexcn.com](http://www.bullexcn.com)
- ✉ [info@bullexcn.com](mailto:info@bullexcn.com)