

TRBERHAD

“Reaching Further...”

**SUPER LONG REACH
FUEL EFFICIENT
EASY OPERATE
RELIABLE
HANDY**



Knock The Earth For Abundance

TR-SLR Series

www.trberhad.com
info@trberhad.com

Features

Improved Performance

TRBERHAD super long reach are the ideal combination of concentrated power, safety and extreme user-friendliness. Ergonomically located controls are within easy reach of the operator, provides operating comfort and increase productivity.

Powerful Engine

Powering it with Cummins turbocharged diesel engine offers world class performance and complies with all relevant environmental regulations. It has low noise, smooth and soft engine run with 100% dynamically balanced crankshaft. Automatic belt tensioner and replaceable wet type cylinder liners make service at ease.

Hydraulic System

Hydraulic pump with 2 variable displacement axial piston pump increases machine performance and pump life. It has capability of flowrate generation according to your request. Depends on the load increase, power requirement of pump is balanced as optimum with engine power, and engine stalling is prevented. This provides high efficiency and long life to the machine.

Roomy ROPS / FOPS Cab

Specially designed ROPS/FOPS cab provides perfect operating comfort, excellent visibility with tinted safety glass.

A well designed dash within reach

Sitting in the driver's seat is a lot like sitting in a automobile. The tiltable front dash provides all switches and controls to be closer to the driver. There's no stretching, so there's less fatigue.



Steering Column

The steering column can be adjusted to an infinite amount of positions for maximum comfort, increased belly room and improved visibility of all indicators by simply pressing the quick-release hand lever.

Easy Cab Entry

Sculpted, self-cleaning steps and a full-size grab bar provide an extra measure of safety getting in and out of the cab. Partial opening of cab doors



CE marked - All safety measurements are taken through the Machinery Directives 2006/42/EC

Serviceability

Optimized component mounting

The fuel and hydraulic tanks, battery box, hydraulic system and engine are mounted to provide easy access and integration.

Ground level access of service points and sight gauges for easy maintenance.

Extended life of filters & hydraulic oil.

Monitoring systems and dealer support reduce unexpected downtime.

- All the hatches are large and easy to open.

Pressure check connections and quickcouplings are conveniently grouped for fast and simple inspection.

TRBERHAD provides warranties and service systems that are tailored to your machine and suited to the toughest imaginable operating conditions, thereby reducing downtime and maximizing uptime.

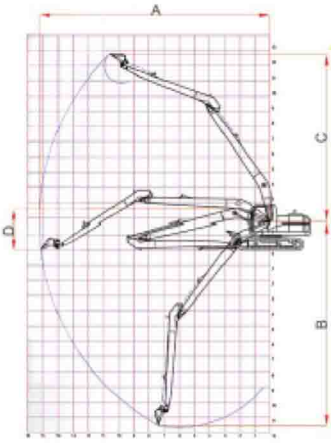
Long lubrication intervals mean more time for productive work. Ground level daily check and grease point access makes life easier and safer.

Easy service accessibility for minimized downtime.

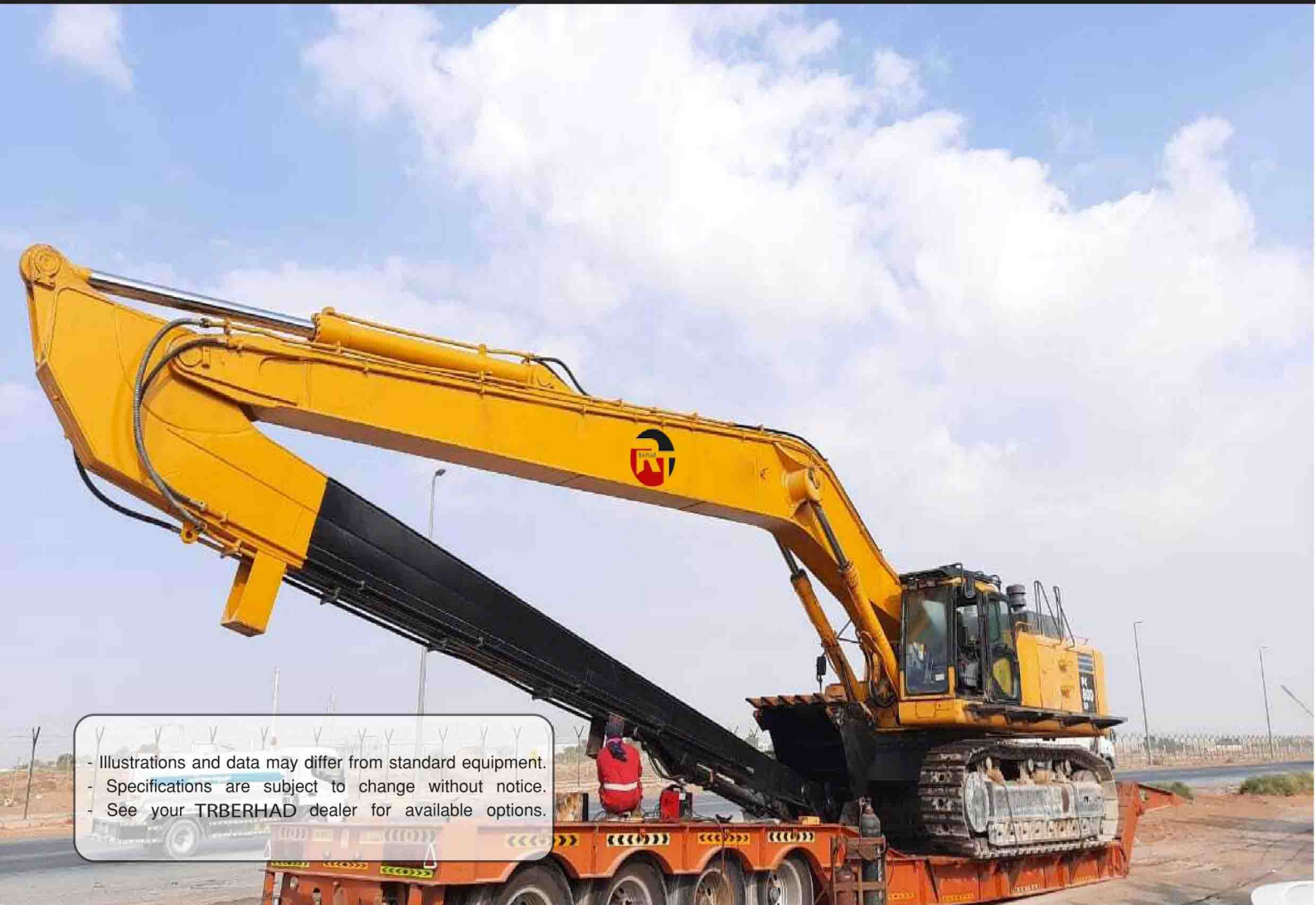
“Reaching Further...”

TRBERHAD

technical specifications



Excavator Operating Weight (ton)	Length		Boom Length		Arm Length		A Max Reach		B Max Depth		C Max Height		D Boom Height		Bucket Capacity	
	m	ft	m	ft	m	ft	m	ft	m	ft	m	ft	m	ft	m ³	Yard ³
7-8	8.00	26' 3"	4.88	16'	2.83	9' 3"	8.19	26' 11"	6.05	19' 10"	7.01	22' 12"	3.39	11' 2"	0.30	0.39
10-13	11.00	36'	6.49	21' 4"	4.37	14' 4"	11.27	36' 12"	7.84	25' 9"	10.70	35' 1"	2.21	7' 3"	0.50	0.65
	12.50	41'	7.15	23' 6"	5.11	16' 9"	12.70	41' 8"	9.06	29' 9"	11.74	38' 6"	2.47	8' 1"	0.40	0.52
14-16	11.00	36' 1"	6.55	21' 6"	4.18	13' 9"	11.38	37' 4"	7.70	25' 3"	11.31	37' 1"	2.28	7' 6"	0.50	0.65
	13.50	44' 4"	7.15	23' 6"	5.02	16' 6"	12.55	41' 2"	8.76	28' 9"	12.07	39' 7"	2.41	7' 11"	0.40	0.52
18-22	13.50	44' 5"	7.76	25' 6"	5.35	17' 7"	13.63	44' 9"	8.94	29' 4"	13.37	43' 10"	2.64	8' 8"	0.60	0.78
	15.00	49' 3"	8.65	28' 5"	6.25	20' 6"	15.28	50' 2"	10.45	34' 3"	14.58	47' 10"	2.69	8' 10"	0.50	0.65
	16.50	54' 2"	9.30	30' 6"	6.90	22' 8"	17.10	56' 1"	12.07	39' 7"	15.69	51' 6"	2.80	9' 2"	0.40	0.52
23-26	15.00	49' 3"	8.65	28' 5"	6.25	20' 6"	15.22	49' 11"	10.63	34' 11"	14.63	47' 12"	2.75	9'	0.70	0.92
	17.50	57' 5"	9.30	30' 6"	6.90	22' 8"	16.59	54' 5"	11.61	38' 1"	15.60	51' 2"	2.87	9' 5"	0.60	0.78
	18.50	60' 8"	10.35	33' 12"	7.95	26' 1"	18.36	60' 3"	14.54	47' 8"	15.24	50'	2.84	9' 4"	0.50	0.65
27-32	16.50	54' 2"	9.38	30' 9"	6.65	21' 10"	16.52	54' 2"	11.42	37' 6"	15.40	50' 6"	3.21	10' 6"	0.70	0.92
	19.00	62' 4"	10.35	33' 12"	7.65	25' 1"	18.20	59' 9"	14.54	40' 8"	16.86	55' 4"	3.15	10' 4"	0.60	0.79
33-36	20.00	65' 7"	11.34	37' 3"	8.45	27' 9"	20.36	66' 10"	14.27	46' 10"	19.41	63' 8"	3.21	10' 6"	0.80	1.05
	21.00	68' 11"	11.84	38' 10"	8.95	29' 4"	21.29	69' 10"	15.23	49' 12"	20.07	65' 10"	3.23	10' 7"	0.70	0.92
38-45	21.00	68' 11"	11.85	38' 11"	8.80	28' 11"	21.20	69' 7"	14.66	48' 1"	19.75	64' 10"	3.62	11' 11"	1.00	1.31
	22.00	72' 2"	12.34	40' 9"	9.27	30' 5"	22.12	72' 7"	15.57	51' 1"	20.34	66' 9"	3.56	11' 8"	0.80	1.05
46-50	22.00	72' 2"	12.30	40' 4"	9.27	30' 5"	22.03	72' 3"	16.08	52' 9"	20.36	66' 10"	3.55	11' 8"	0.90	1.18
60-65	23.00	75' 6"	12.94	42' 6"	9.98	32' 9"	23.06	75' 8"	17.72	58' 2"	20.86	68' 5"	3.94	12' 11"	1.20	1.60
70-75	24.00	78' 9"	13.72	45'	10.28	33' 9"	24.20	79' 5"	17.90	58' 9"	22.58	74' 1"	3.98	13' 1"	1.30	1.70
80-90	25.00	82'	14.41	47' 3"	10.69	35' 1"	25.22	82' 9"	18.83	61' 9"	23.15	75' 11"	4.32	14' 2"	1.40	1.83
100-110	27.00	88' 7"	15.51	50' 11"	11.53	37' 10"	27.19	89' 3"	21.04	69'	24.65	80' 11"	5.33	17' 6"	1.60	2.09
	28.00	91' 10"	16.10	52' 10"	11.68	38' 4"	28.07	92' 1"	21.67	71' 1"	25.50	83' 8"	5.37	17' 7"	1.40	1.83
120-130	28.00	91' 10"	16.02	52' 7"	12.16	39' 11"	28.29	92' 10"	21.65	71'	25.43	83' 5"	5.40	17' 9"	1.60	2.09
	29.00	95' 2"	16.70	54' 10"	12.15	39' 10"	29.00	95' 2"	22.23	72' 11"	26.13	85' 9"	5.44	17' 10"	1.40	1.83



- Illustrations and data may differ from standard equipment.
 - Specifications are subject to change without notice.
 - See your TRBERHAD dealer for available options.

Standard Equipment

Engine

- Air filter, dry type and radial seal
- Service indicator warning lamp
- Turbocharged

Drive Train

- 40 km/h gearbox (full powershift)
- Front axle, limited slip differential
- Rear axle, limited slip differential
- Shaft guard
- Service brakes enclosed wet disc full hydraulic and parking brakes electro-hydraulically actuated spring - loaded caliper disc brake
- Transmission, 4F/3R autoshift single control and kick-down switch.

Attachment

- Automatic lift kick out system
- Automatic return to dig system

Electrical System

- Battery, 24 V/ (12 V 120 Ah) x2
- Front headlights
- Master switch
- Visual and audible warning systems on main functions
- Warning horn

ROPS ve FOPS Cab

- Coat hook
- Door ventilation openers
- Front windshield waster and wipers
- Fully equipped instrument panel
- Interior light
- Left Side door with lock
- Mirrors, interior and exterior (2)
- Radio /Cassette Player
- Rotating beacon (detachable)
- Sunvisor

- Suspended adjustable seat with seat belt, armrest and headrest
- Steering wheel spinner knob
- Tilttable and height adjustable steering column
- Worklights, 2 front - 2 rear

Optional Equipment

- Air Condition
- attachment
- Additional front hydraulic line
- Soft material bucket
- Hydraulic or mechanic snow blade
- Skeleton bucket
- Timber grab
- Rock bucket
- Hydraulic or mechanic quick coupler



With a keen awareness of its international positioning, as a pre-requisite of success and growth in a truly global era, **TRBERHAD** Makina manages collaborations with leading international partners in **Malaysia** and abroad aiming at long-term benefit of our customers, business partners and staff. These cooperative efforts aim to achieve the highest quality of products and service delivery by **TRBERHAD** Making where it has presence in global.

Notes:

- 1- The products in this catalogue are CE marked, all safety measurements are taken through the Machinery Directives 2006/42/EC
- 2- Illustrations and data may differ from standard equipment.
- 3- Specifications are subject to change without notice.
- 4- See your **TRBERHAD** dealer for available options.

TR BERHAD SDN.BHD.